

Product change notification (PCN)

Title / short description	Improvement to the tape-on-reel packaging for unshielded M8-SMD items
Affected article category	Connectors
Change category	Packaging, Form and appearance
Change number	CAB182026-01

Purpose/objective of the change

As part of the ongoing improvement process, the packaging of the items listed above will be changed.

Detailed description of the change

The tape-on-reel packaging of unshielded M8 SMD items has been changed slightly to make the feed-in process for SMD components smoother. The dimensional changes are shown in the attached document. Both the pocket depth and also the geometry of the pocket have been optimized to ensure the stable fit of the components in the tape-on-reel packaging. The insulating bodies now sit higher in the tape-on-reel packaging, therefore optimizing the gripping or suction action. This change has no effect on the technical properties of the connectors. The timely implementation of this change is therefore necessary. If you have any questions or need our support due to this changeover, contact the sales team responsible.

Identifying characteristics

All changed units can be recognized by their increased production batches.

Start of Production (SOP)	-	Last Time Delivery (LTD)	-
Effective date (EOP)	2021-01-01	End of Service (EOSR)	-
End of Sales (EOS)	-		

Short-term change (< 6 months) or discontinuation (< 12 months), due to:

- | | | |
|-----------------------------------------------------|--------------------------------------------------------------------------------|--------------------------------------------------------|
| <input type="checkbox"/> Software / Firmware Bugfix | <input type="checkbox"/> Short-term delivery stop by supplier | <input type="checkbox"/> Short-term recall by supplier |
| <input type="checkbox"/> Force majeure | <input checked="" type="checkbox"/> Product improvement with customer benefits | |
| <input type="checkbox"/> Others | | |

Attachments

- CAB182026_pictures.pdf
- Material_list.csv
- PCN-CAB182026-01 Verbesserung des Gurts für ungeschirmte M8-SMD-Artikel_DE
- PCN-CAB182026-01 Improvement to the tape-on-reel packaging for unshielded M8-SMD items_EN

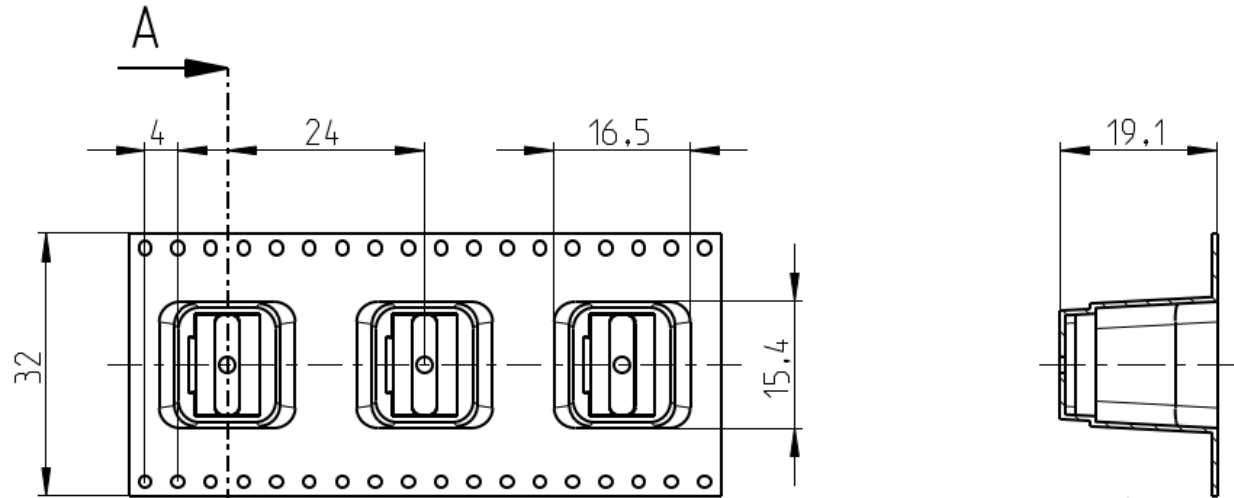
Material list

Item	Article Type	Hardware / Firmware		Item	Substitute item Type
		old	new		
1412246	SACC-CI-M8FS-6P SMD R32	1	2		
1412252	SACC-CIP-M8FSB-5P SMD R32	1	2		
1412251	SACC-CIP-M8FS-4P SMD R32	1	2		
1412247	SACC-CI-M8FS-8P SMD R32	1	2		
1412243	SACC-CI-M8FS-3P SMD R32	1	2		
1412250	SACC-CIP-M8FS-3P SMD R32	1	2		
1412245	SACC-CI-M8FSB-5P SMD R32	1	2		
1412253	SACC-CIP-M8FS-6P SMD R32	1	2		
1412244	SACC-CI-M8FS-4P SMD R32	1	2		
1412254	SACC-CIP-M8FS-8P SMD R32	1	2		
1075417	SACC-CI-M8FS-3P SMD R32 FES	1	2		
1075419	SACC-CI-M8FS-4P SMD R32 FES	1	2		
1075425	SACC-CI-M8FSD-4P SMD R32 FES	1	2		
1068453	SACC-CI-M8FSD-4P SMD R32	0	1		
1077269	SACC-CI-M8FSD-4P SMD SH R32 F	2	3		
1163177	SACC-CIP-M8FSD-4P SMD R32	1	2		
1412248	SACC-CI-M8MS-3P SMD R32	0	1		
1412249	SACC-CI-M8MS-4P SMD R32	0	1		
1412255	SACC-CIP-M8MS-3P SMD R32	0	1		
1412256	SACC-CIP-M8MS-4P SMD R32	0	1		
1075420	SACC-CI-M8MS-4P SMD R32 FES	0	1		

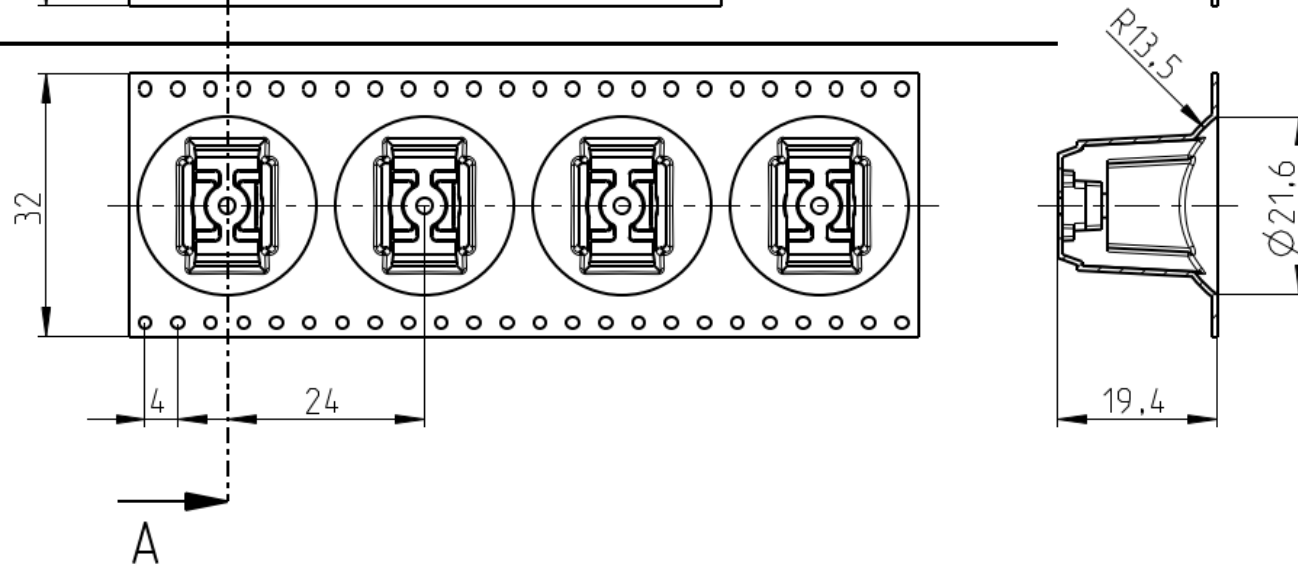
CAB182026 – M8 SMD unshielded Socket



Current:



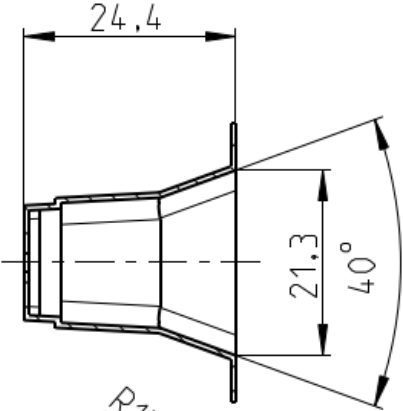
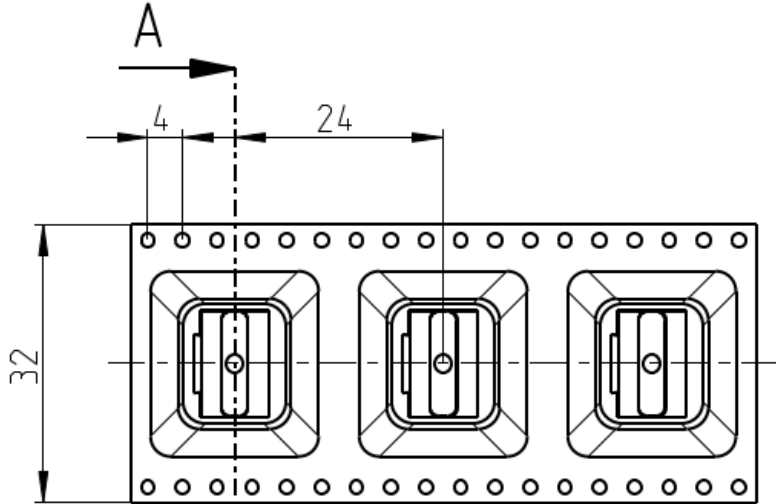
New:



CAB182026 – M8 SMD unshielded Pin



Current:



New:

